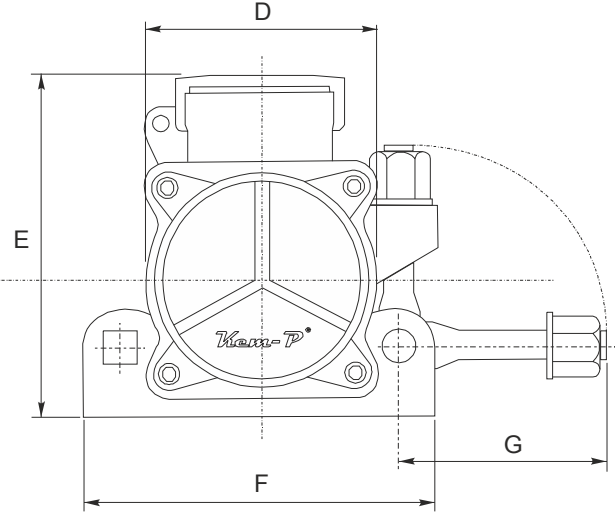
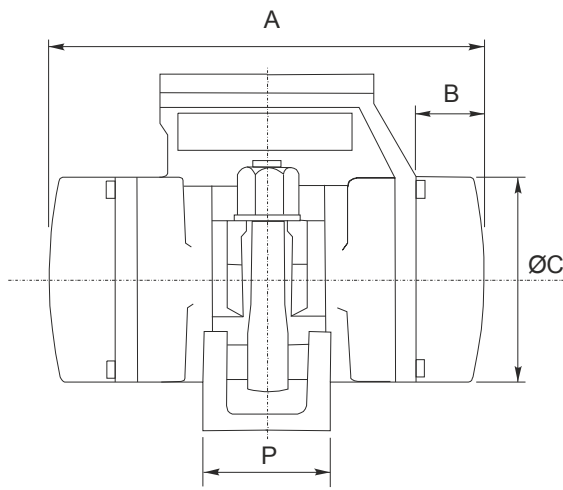


Model Type Modelo	Gövde Size Grand. Tam.	Faz Phase Phase Fase	Gerilim Voltage Voltage Voltaje (V)	Frekans Frequency Frequency Frecuencia (Hz)	Akım Current Courant Corriente (A)	Giriş Gücü Input Power Puissance Potencia (kW)	Devir rpm Cycle Revol	Santrüfuj Centrifugal Force Force Centrifuge Fuerza Centrifuga (Kg)	Kuvveti Force Force Centrifuge (KN)	Ağırlık Weight Poids Peso (Kg)
PSV 70/1	01	3	42 / 48	200	15	0,92	12000	2.580	25,310	20,4
PSV 70/2	01	3	42 / 48	150	15	0,92	9000	1.815	17,805	20,4
PSV 70/3	01	3	42 / 48	200	15	0,92	6000	1.130	11,085	20,4
PSV 80/2	01	3	42 / 48	150	25	1,80	9000	2.185	21,435	20,6
PSV 80/3	01	3	42 / 48	200	23,5	1,70	6000	1.525	14,960	20,6

Model Type Modelo	Gövde Ölçüleri - Overall Dimensions - Dimensions Totales - Dimensiones Totales (mm)									
	Gövde Size Grand. Tam.	A	B	ØC	D	E	F	G	P	
PSV 70	01	298	55	130	132	211	226	105	105	
PSV 80	01	298	55	130	132	211	226	105	105	



Fixed Joints / Connection Joints



FVM Series

3Ph 42V 200Hz 40A

Fisler ve Prizler / Plugs and Sockets
Fiches et Prises / Tomas y Enchufes



VP/S Series



VP/D Series



VF/S Series



VP/M Series