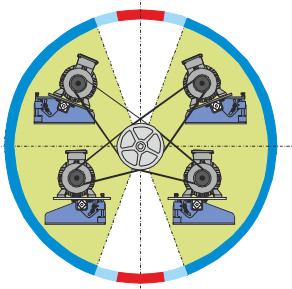
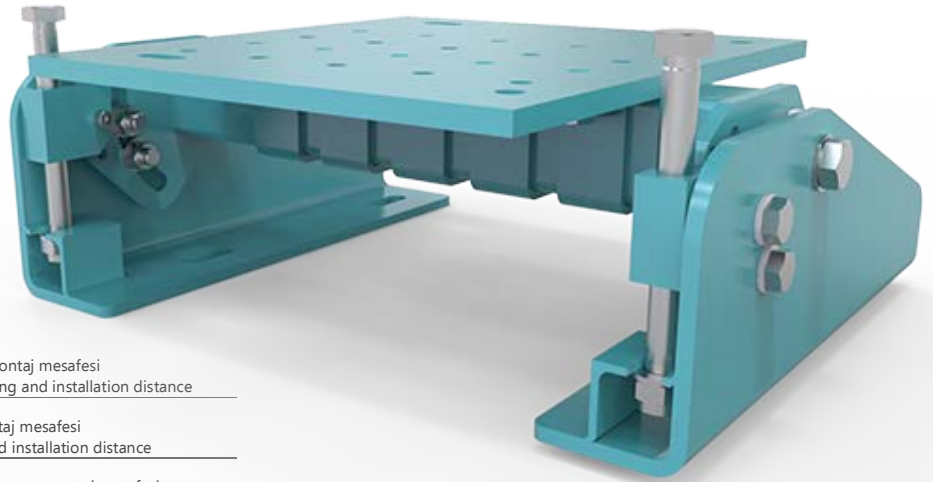


MT 50x180-220-270-400-500

Gövde Ölçüleri - Overall Dimensions (mm)

Model Type	IEC				NEMA			A	B	C	ØD	E	F	X	Y	Ağırlık Weight (Kg)
	Motor Boyutu Motor Type	P (KW)			Motor Boyutu Motor Type	P (HP)										
		3000 rpm	1500 rpm	1000 rpm		1800 rpm	1200 rpm									
MT 50x180	132S	5,5 - 7,5	5,5	3	213T	7,5	3	216	140	225	M10	386	43	270	230	36,50
	132M	7,5	7,5	4 - 5,5	215T	10	5		178							
MT 50x220	160M	11 - 15	11	7,5	254T	15	7,5	254	210	325	14	486	45	310	310	41,60
	160L	18,5	15	11	256T	20	10		254							
MT 50x270	180M	22	18,5	--	284T	25	15	279	241	325	14	486	72	350	350	46,25
	180L	--	22	15	286T	30	20		279							
MT 50x400	200M	30 - 37	30	18,5 - 22	324T	40	25	318	267	425	18	586	58	405	375	55,70
	200L	30 - 37	30	22	326T	50	30		305							
MT 50x500	225S	45	37	30	364T	60	40	356	286	475	18	636	72	465	420	63,40
	225M	45	45	30	365T	75	50		311							



- En verimli germe ve montaj mesafesi
Most efficient tensioning and installation distance
- Verimli germe ve montaj mesafesi
Efficient tensioning and installation distance
- Tavsiye edilmeyen germe ve montaj mesafesi
Non-recommended tensioning and installation distance